



# Summary of Learnings – Health, Energy and Fuel

**Peter K. Campbell**  
**Research Scientist**  
**1<sup>st</sup> June 2010**

# Health – Physical

- **Garbage in, garbage out**
  - Organic, biodynamic food
  - Water free from chlorine & very little fluorine – preferably spring water (small levels of bicarbonates, calcium, et al)
  - Fresh air with minimal levels of car/industrial emissions
- **Cooking**
  - Extended heating destroys most complex nutrients
  - Have raw, or short & sharp cooking (e.g. wok)
  - Eat like a Chinese Peasant – T. Colin Campbell “The China Study”, Lorraine Clissold “Why the Chinese don’t count Calories”, Joseph Morse “The Evolution Diet” + BBC “Evo Diet” documentary:  
[http://news.bbc.co.uk/2/hi/uk\\_news/magazine/6248975.stm](http://news.bbc.co.uk/2/hi/uk_news/magazine/6248975.stm)
- **Extra Nutrients if necessary**
  - Selenium (AU/NZ soils poor) – rock dust on gardens
  - Vitamin C – Supermarket fruit & veg low

# Health – Chemical/Electrical

- **Disease eradication - Chemically**

- High intakes Vitamin C – works for Goats naturally
- Intravenous sodium ascorbate (Vitamin C) for cancer et al. – see <http://www.lulu.com/ascorbate/> books
- Even better (probably) – MMS – especially good for treating parasites. MMS2 may be even better - <http://www.miraclemineal.org/> and <http://jimhumble.biz/>

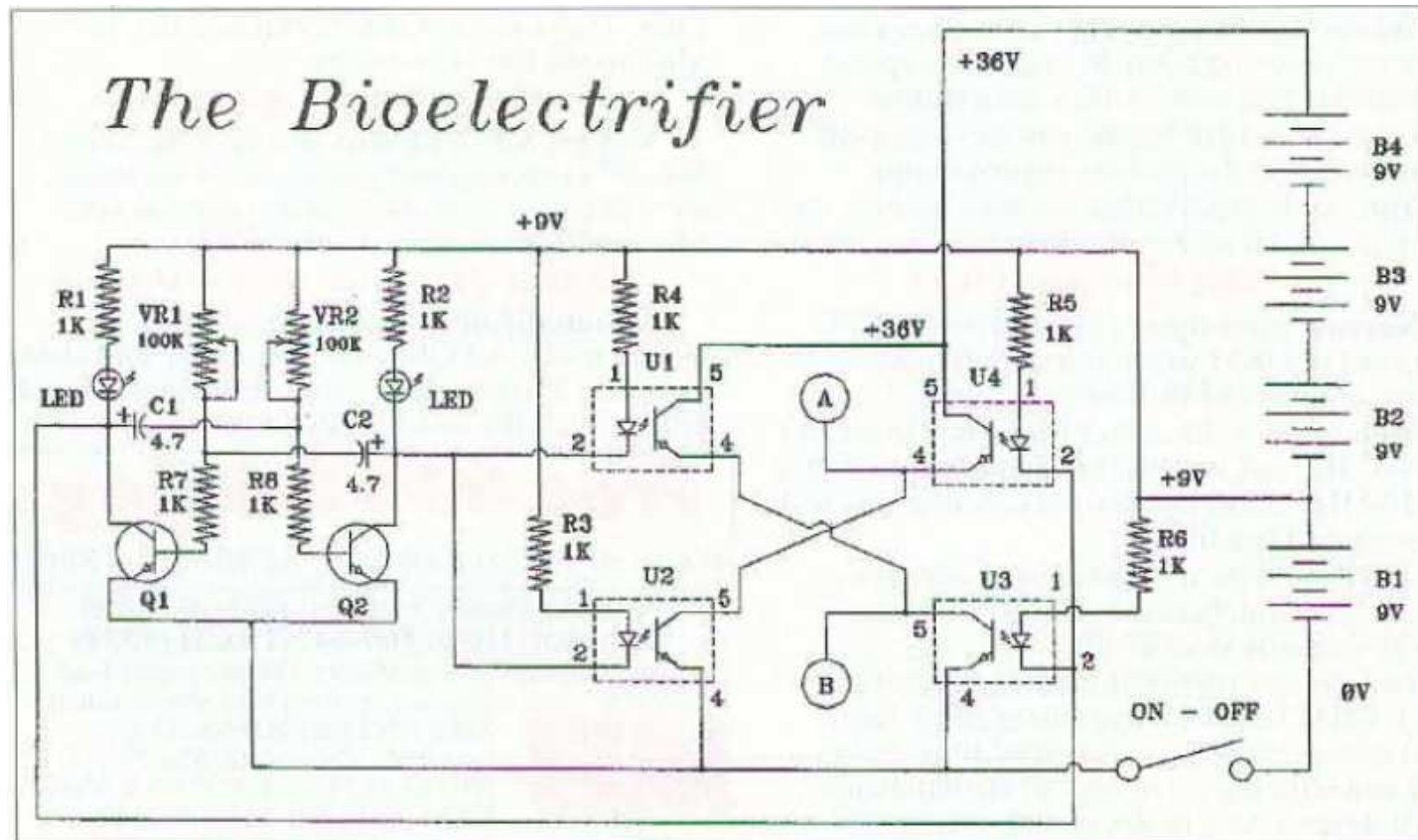
- **Disease eradication - Electrically**

- Patent 5,139,684 discusses using small electrical current on blood outside the body to destroy cancer, AIDS, hepatitis C, et al, and machine to do so (similar to liver dialysis)
- Bob Beck & Robert Becker (“The Body Electric”) worked out could do with blood still inside body; developed 3 devices to do so (one for blood, one for liver/lymph, plus one for colloidal silver for general health)

# Health – Electrical

- **Beck device**

- Initially published in ham radio magazine 73 by Wayne Green in 1996, improved version in 1997 – many positive reports from readers; suppressed by US Postal System/FDA thereafter.



# Health – Emotional

- **Cell Communication**

- Our cells communicate with each other & respond to emotional stimuli – Tompkins & Bird “Secrets of the Soil” & “The Secret Life of Plants”, Peter Stone “The Secret Life of Your Cells”, Candace Pert “Molecules Of Emotion: The Science Behind Mind-Body Medicine”

- **Pointing the Bone**

- Well known how belief can lead to poor health/death
- Western doctors “point the bone” all the time – “you’ve got 6 months to live”, “with Stage IV cancer you have a 90%+ chance of dying within 5 years”

- **Fix yourself**

- Positive belief is powerful “Every Day in Every Way I’m getting Better & Better” - Émile Coué ~1900 – 93% success rate
- The Placebo Effect

# Health – Emotional/Spiritual

- **Eastern methods of Healing/Spirituality**
  - Louise Hay – You Can Heal Your Life
  - Reiki – taught how to heal yourself and others, even at a distance
- **Prayer**
  - Has been shown to have a positive effect on health
- **Happiness, Friendship**
  - Those who have friends, families, pets, etc. live longer
  - Happy people are healthier and live longer
  - Depression, stress -> dis-ease & death
  - Feeling of uselessness -> dis-ease & death; people who “retire” often die soon after if they feel they have nothing more to offer
- **Love Is**
  - Love for yourself and others is the most powerful healing force

# Fuel

- **Vehicles**

- Massive Yet Tiny (MYT) engine by Raphial Morgado – replace e.g. Commodore V6 engine with device size of 2L ice cream container, increase economy from 21 mpg to >100!

<http://www.angellabsllc.com/>

[http://peswiki.com/index.php/Directory:Massive Yet Tiny \(MYT\) Engine](http://peswiki.com/index.php/Directory:Massive_Yet_Tiny_(MYT)_Engine)

- Multifunction – use in cars, trucks, buses, ships, planes, jetpack, genset, pumping



**Cummins Turbo Diesel Engine**

Bore: 5.5", Stroke:6", 6 Cyl, 855 Cubic Inches Displacement, approx. 3,000lbs.

**Mazda Rotary Engine**

Engine 4cyl. Equivalent, 80 Cubic Inches Displacement approx. 200lbs.

**The MYT™ Engine**

Bore:3", Stroke:3.75", 32 Cyl. Equiv 850 Cubic Inches Displacement approx. 150lbs.

# Fuel

- **Vehicles**

- Electrification – electric motors require only ~15% energy as ICE to power vehicle, maximum torque from standing start
- Ceramic/Carbon Fibre storage (enhanced supercapacitors) only 5-10 years off replacing batteries – lighter than fuel tank, higher range, can charge in 5-10 minutes – no need for liquid fuel anymore
- Or “free energy power” – e.g. Correa PAGD - produces electricity in the kilowatt range from a vacuum tube that you can hold in two hands. GM's engineers loved it, but upper management stopped the deal because "electric cars are window dressing“ – actually because outdated business model requires complex, inefficient technology yielding constant income from parts & servicing

- **Car Companies**

- GM, Ford, Toyota – already dying, refuse to use new technology. Will be overrun by e.g. China's BYD (Build Your Dreams) – battery company => no interest in ICE. Have ripped off CSIRO's series hybrid design, EV as well to be launched in US this year. Plug-in hybrid for \$22K, 50% recharge in 10 minutes, 10% owned by Warren Buffet



# Electricity

- **Plasma (often with transmutation)**

- Blacklight Power Have signed contract to deliver >GW power to 7+ US & European Utilities, using “hydrinos” – shrinking hydrogen atoms pulled out of water, create ultraviolet plasma; latest research in quantum mechanics suggests may be right
- Electrolysis - Jean-Louis Naudin, Philipp Kanarev, Tadahiko Mizuno
- GEET – Paul Pantone, confirmed Brigham Young Uni et al., PICC
- Gasification -  $H_2O$  + syngas + energy from rubbish (>\$100/tonne MSW) - <http://w2energy.com/>, <http://www.magnegas.com/>, local experts

- **LENR (usually with transmutation)**

- >1000 scientific papers now at <http://www.lenr-canr.org/>
- Both American Chemical Society & US Navy admit existence
- Still being suppressed by “hot fusion physicists” unwilling to lose funding, despite wasting billions over 60 years & still being “at least 20 years away” from working models

- **SuperWave Fusion**

- Irving Dardik “waves within waves” – also used in health
- <http://superwavefusion.com/evolving-science/>

# Electricity

- **Magnetic Motors**

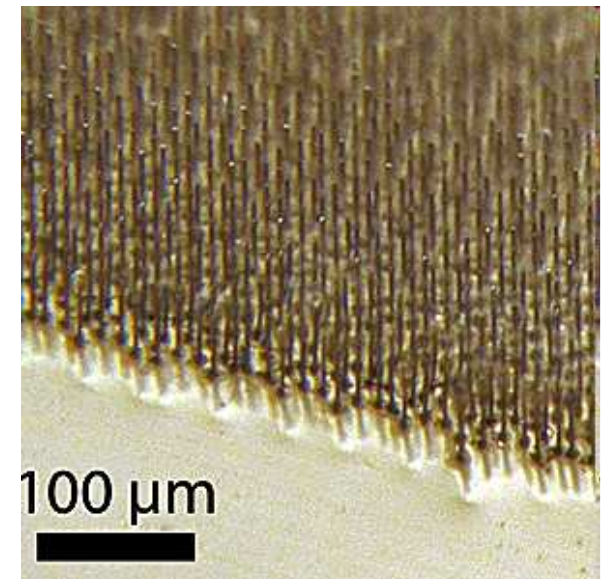
- Many close to working – or already working
- Expect working system available by end of the year

- **Bedini Pulsing Electronics**

- Kit at <http://potentialtec.com/> now available; see one working at <http://www.youtube.com/watch?v=-00RiuvMOk4>
- Solar Power “Amplifier” = Tesla Switch! <http://r-charge.com/Solar.html>

- **CalTech Silicon Hair Solar Cell**

- <http://www.infoaddict.com/caltech-announces-stunning-solar-energy-breakthrough>
- Captures 85-90% vs. 20% visible light
- Uses 2% expensive silicon of normal cells
- => 20 times better bang for buck
- Flexible – put on car tops



# Summary

- **We already have the answers to many problems – climate change, health issues, water security, environmental degradation, fuel security, energy security**
- **Established corporate and government business models are contrary to the introduction of technologies that offer solutions**
- **An extensive range of new government policies will be required to support the introduction of these technologies, and the resulting transitions in employment from old to new industry sectors, and new funding models for government and industry**
- **Improvements in education and R&D funding are required to best explain and support these technologies**
- **The sooner we make these changes, the sooner Victoria and Australia can become an innovative country and world leader; the current period of economic unrest and industry failure is the perfect time for these changes to be made - the public is ripe for changes that will dramatically improve the standard of living for themselves and their descendants**